

Armchair and Sofa

Frame: Cold-injected polyurethane foam with inner steel profile and polyurethane inserts for back support. Covering material coupled with polyester padding.

Shaped seat made of non-deformable polyurethane foam and wrapped with polyester wadding.

Fire retardant inner padding meets "California Bulletin 117A" and "Italian Class 1 IM" Standards.

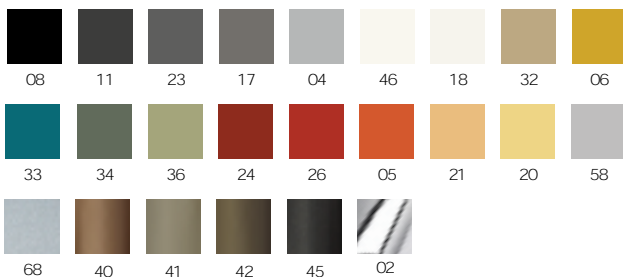
Special foam meeting the **5852 British Standards** is available on request.

Die-cast aluminium legs (h. cm 18) available in chromed or powder coated finish.

Covers: fabric, leather, faux leather or C.O.M. (preferably in solid colours).



	Article	Upholstery	Powder coated legs	Chromed legs	pcs / dimensions volume / gross weight product net weight
Armchair	1805	Gazebo Xtreme Plus / Magnum / Rivet / Main Line Flax Blazer / Gingko / Step Melange / Silvertex / Remix3 Steelcut Trio3 / Atlas / Canvas2 Leather C.O.L. C.O. faux leather / C.O.M. (solid colour)			1 pc / 75x70x57 cm 0,30 m ³ / 26,5 Kg 22,8 Kg
Sofa	1807	Gazebo Xtreme Plus / Magnum / Rivet / Main Line Flax Blazer / Gingko / Step Melange / Silvertex / Remix3 Steelcut Trio3 / Atlas / Canvas2 Leather C.O.L. C.O. faux leather / C.O.M. (solid colour)			1 pc / 137x69x57 cm 0,54 m ³ / 45,6 Kg 40,5 Kg

Finishes**Metal legs****Customer's own material**

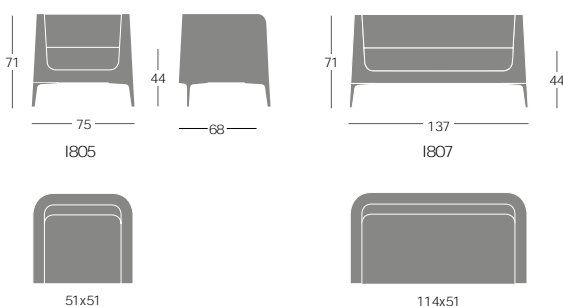
For customer's own material/leather, the form at the end of the price list shall apply, to be sent to Segis Spa with the Client's signature.

Art. 1805

Solid fabric: for 1 pc 305 cm (H.140 cm)
C.O.L. qty: for 1 pc 5,48 m²

Art. 1807

Solid fabric: for 1 pc 483 cm (H.140 cm)
C.O.L. qty: for 1 pc 8,69 m²

Dimensions**Fire retardant certifications**

The product upholstered with Xtreme fabric and Gazebo faux-leather meets Class 1IM Standards by the Italian Minister of Interior.

Resistance tests**Art. 1805**

ANSI-BIFMA X5.4 - 2005/5 - backrest strength horizontal, static
ANSI-BIFMA X5.4 - 2005/7 - backrest durability - horizontal, cyclic
ANSI-BIFMA X5.4 - 2005/9 - arm strength - horizontal, static
ANSI-BIFMA X5.4 - 2005/10 - arm strength - vertical, static
ANSI-BIFMA X5.4 - 2005/11 - arm durability - horizontal, cyclic
ANSI-BIFMA X5.4 - 2005/12 - arm durability - vertical, cyclic
ANSI-BIFMA X5.4 - 2005/13 - seating durability - cyclic
ANSI-BIFMA 5.4 - 2005/14 - drop test - dynamic
ANSI-BIFMA X5.4 - 2005/15 - structural durability - cyclic

ALPHABET - GAMMA

Roberto Romanello / 2000

segis

Armchair / Sofa

Frame: cold injected polyurethane foam with inner steel profile frame. Covering material coupled with polyester padding.

Shaped seat: made of non-deformable polyurethane foam and wrapped with polyester wadding.

Fire retardant foam meets California Bulletin 117A, EN1021-1/2:2014 and Italian Class 1 IM Standards.

Special foam meeting the **5852 British Standards** is available on request.

Die-cast aluminium legs (h. cm 18) available in chromed or powder coated finish.

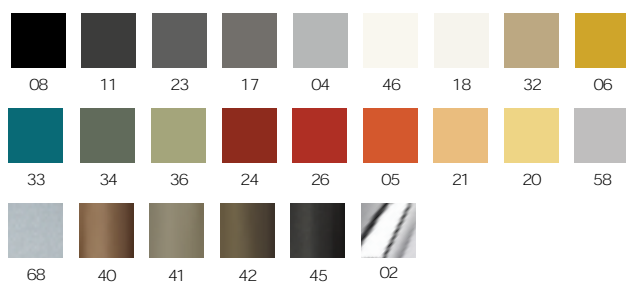
Covers: in available in fabric, leather, faux leather or C.O.M (preferably in solid colours).



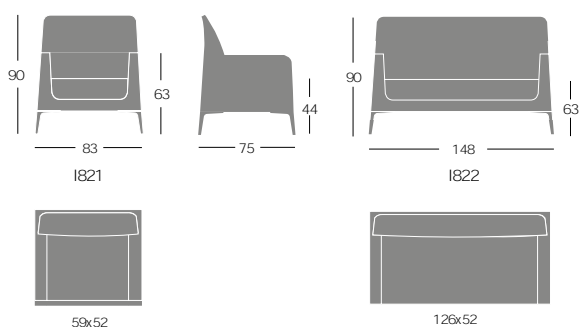
	Article	Upholstery	Powder coated legs	Chromed legs	pcs / dimensions volume / gross weight product net weight
Armchair	1821	Gazebo Xtreme Plus / Magnum / Rivet / Main Line Flax Blazer / Gingko / Step Melange / Silvertex / Remix3 Steelcut Trio3 / Atlas / Canvas2 Leather C.O.L. C.O. faux leather / C.O.M. (solid colour)			1 pc / 83x76x74 cm 0,47 m ³ / 32,5 Kg 28,5 Kg
Sofa	1822	Gazebo Xtreme Plus / Magnum / Rivet / Main Line Flax Blazer / Gingko / Step Melange / Silvertex / Remix3 Steelcut Trio3 / Atlas / Canvas2 Leather C.O.L. C.O. faux leather / C.O.M. (solid colour)			1 pc / 149x82x74 cm 0,90 m ³ / 55 Kg 49 Kg

Finishes

Metal legs



Dimensions



Customer's own material

For customer's own material/leather, the form at the end of the price list shall apply, to be sent to Segis Spa with the Client's signature.

Art. 1821 Solid fabric: for 1 pc 357 cm (H.140 cm)
C.O.L. qty: for 1 pc 6,43 m²

Art. 1822 Solid fabric: for 1 pc 683 cm (H.140 cm)
C.O.L. qty: for 1 pc 12,29 m²

Fire retardant certifications

The product upholstered with Xtreme fabric and Gazebo faux-leather meets Class 1IM Standards by the Italian Minister of Interior.

ALPHABET - HI OMEGA

Roberto Romanello / 2000

segis

High-back armchair

Frame: cold-injected polyurethane foam with inner steel profile and elastic webbing for back support.

Covering material coupled with polyester padding.

Shaped seat: made of non-deformable polyurethane foam, and wrapped with polyester wadding.

Fire retardant foam meets California Bulletin 117A, EN1021-1/2:2014 and Italian Class 1 IM Standards.

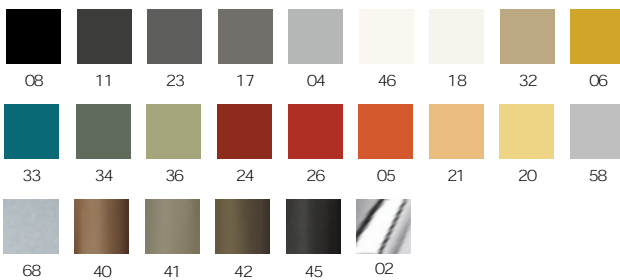
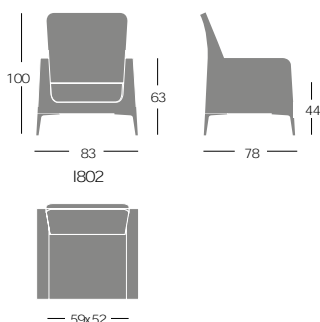
Special foam meeting **the 5852 British Standards** is available on request.

Die-cast aluminium legs (h. cm 18) available in chromed or powder coated finish.

Covers: fabric, leather, faux leather or C.O.M. (preferably in solid colours).



	Article	Upholstery	Powder coated legs	Chromed legs	pcs / dimensions volume / gross weight product net weight
Armchair with high back	1802	Gazebo Xtreme Plus / Magnum / Rivet / Main Line Flax Blazer / Gingko / Step Melange / Silvertex / Remix3 Steelcut Trio3 / Atlas / Canvas2 Leather C.O.L. C.O. faux leather / C.O.M. (solid colour)			1 pc / 88x78x86 cm 0,59 m ³ / 34 Kg 30 Kg

Finishes**Metal legs****Dimensions****Customer's own material**

For customer's own material/leather, the form at the end of the price list shall apply, to be sent to Segis Spa with the Client's signature.

Art. 1802 Solid fabric: for 1 pc 452 cm (H. 140 cm)
C.O.L. qty: for 1 pc 8,13 m²

Fire retardant certifications

The product upholstered with Xtreme fabric and Gazebo fauxleather meets Class 1IM Standards by the Italian Minister of Interior.

Resistance tests

ANSI-BIFMA X5.4 -2005/5 - backrest strength - horizontal
ANSI-BIFMA X5.4 -2005/6 - backrest strength - vertical
ANSI-BIFMA X5.4 -2005/7 - backrest durability - horizontal, cyclic
ANSI-BIFMA X5.4 -2005/8 - rbackrest durability - vertical, cyclic
ANSI-BIFMA X5.4 -2005/9 - arm strength - horizontal, static
ANSI-BIFMA X5.4 -2005/10 - arm strength - vertical, static
ANSI-BIFMA X5.4 -2005/11 - arm durability - horizontal, cyclic
ANSI-BIFMA X5.4 -2005/12 - arm durability - cyclic
ANSI-BIFMA X5.4 -2005/13 - seating durability - cyclic
ANSI-BIFMA 5.4 -2005/14 - drop test - dynamic
ANSI-BIFMA X5.4 -2005/15 - structural durability - cyclic

ALPHABET - MI LONGUE

Roberto Romanello / 2000

segis

Chaise longue with magnet operated continuously adjustable headrest and cushion.

Inner frame of quality solid-wood and plywood with non deformable polyurethane foam, wrapped in polyester padding.

Fire retardant foam meets California Bulletin 117A, EN1021-1/2:2014 and Italian Class 1 IM Standards.

Special foam meeting the **5852 British Standards** is available on request.

Die-cast aluminium legs (h. cm 18) available in chromed or powder coated finish.

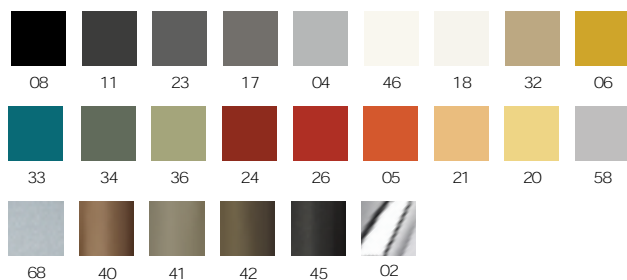
Covers: fabric, leather, faux leather or C.O.M (preferably in solid colours).



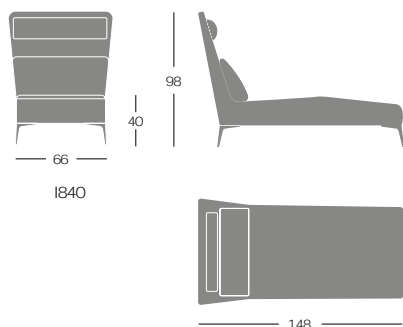
	Article	Upholstery	Powder coated legs	Chromed legs	pcs / dimensions volume / gross weight product net weight
Chaise-Longue	1840	Gazebo Xtreme Plus / Magnum / Rivet / Main Line Flax Blazer / Gingko / Step Melange / Silvertex / Remix3 Steelcut Trio3 / Atlas / Canvas2 Leather C.O.L. C.O. faux leather / C.O.M. (solid colour)			1 pc / 153x79x86 cm 1,04 m ³ / 35 Kg 28,5 Kg

Finishes

Metal legs



Dimensions



Customer's own material

For customer's own material/leather, the form at the end of the price list shall apply, to be sent to Segis Spa with the Client's signature.

Art. 1840 Solid fabric: for 1 pc 347 cm (H.140 cm)
C.O.L. qty: for 1 pc 6,24 m²

Armchair / Sofa

Frame: cold-injected polyurethane foam with inner steel profile and I polyurethane inserts for back support. Covering material coupled with polyester padding.

Shaped seat made of non-deformable polyurethane foam and wrapped with polyester wadding.

Fire retardant foam meets California Bulletin 117A, EN1021-1/2:2014 and Italian Class 1 IM Standards.

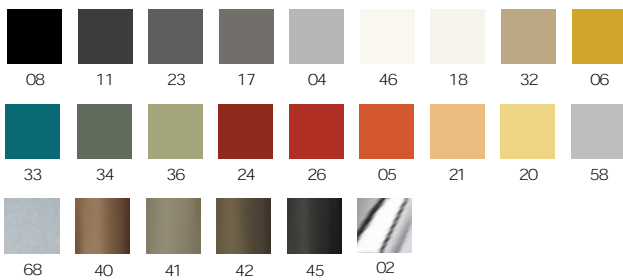
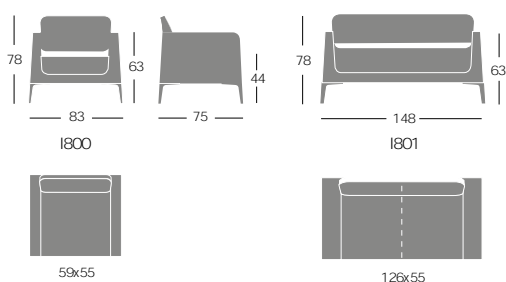
Special foam meeting the **5852 British Standards** is available on request.

Die-cast aluminium legs (h. cm 18) available in chromed or powder coated finish.

Covers: fabric, leather, faux leather or C.O.M. (preferably in solid colours)



	Article	Upholstery	Powder coated legs	Chromed legs	pcs / dimensions volume / gross weight product net weight
Armchair	1800	Gazebo Xtreme Plus / Magnum / Rivet / Main Line Flax Blazer / Gingko / Step Melange / Silververtex / Remix3 Steelcut Trio3 / Atlas / Canvas2 Leather C.O.L. C.O. faux leather / C.O.M. (solid colour)			1 pc / 75x83x64 cm 0,40 m ³ / 30,5 Kg 26 Kg
Sofa	1801	Gazebo Xtreme Plus / Magnum / Rivet / Main Line Flax Blazer / Gingko / Step Melange / Silververtex / Remix3 Steelcut Trio3 / Atlas / Canvas2 Leather C.O.L. C.O. faux leather / C.O.M. (solid colour)			1 pc / 148x75x64 cm 0,71 m ³ / 49 Kg 44 Kg

Finishes**Metal legs****Dimensions**

Note: leather version with central stitching

Customer's own material

For customer's own material/leather, the form at the end of the price list shall apply, to be sent to Segis Spa with the Client's signature.

Art. 1800 Solid fabric: for 1 pc 378 cm (H.140 cm)
C.O.L. qty: for 1 pc 6,80 m²

Art. 1801 Solid fabric: for 1 pc 557 cm (H.140 cm)
C.O.L. qty: for 1 pc 10,02 m²

Fire retardant certifications

The product upholstered **with Xtreme fabric and Gazebo faux-leather** meets Class 1IM Standards by the Italian Minister of Interior.

Resistance tests

ANSI-BIFMA X5.4 -2005/5 - back strength - horizontal
ANSI-BIFMA X5.4 -2005/6 - back strength - vertical
ANSI-BIFMA X5.4 -2005/7 - back durability - horizontal, cyclic
ANSI-BIFMA X5.4 -2005/8 - back durability - vertical, cyclic
ANSI-BIFMA X5.4 -2005/9 - arm strength - horizontal
ANSI-BIFMA X5.4 -2005/10 - arm strength - vertical
ANSI-BIFMA X5.4 -2005/11 - arm durability - horizontal, cyclic
ANSI-BIFMA X5.4 -2005/12 - arm durability - vertical, cyclic
ANSI-BIFMA X5.4 -2005/13 - seating impact test - cyclic
ANSI-BIFMA X5.4 -2005/14 - drop test - dynamic
ANSI-BIFMA X5.4 -2005/15 - structural durability - cyclic
ANSI-BIFMA X5.4 - leg strength - front & side application
ANSI-BIFMA X5.4 - unit drop test - dynamic
ANSI-BIFMA X5.4 - stability